

Emphatec DC Plus[®] - CLS/8

8 Channel Current Loop Supply Module



Features

- Provides current limited power to a 4-20mA loop
- Fast short circuit protection
- Compact package with plug and socket connections

The Emphatec DC Plus[®] - CLS/8 is an accessory to a 24Vdc power supply used to power 4-20mA loops. It feeds the 24Vdc to up to 8 transmitters and in the event of a short circuit quickly (much faster than a fuse!) isolates the faulty circuit before the power supply shuts off. The protection activates if the current rises above 30mA.

After the short circuit is removed the module will automatically re-energize the circuit. Overvoltage and reverse polarity protection is also provided.

The module requires only 27mm of DIN rail. All connections are via clearly labelled plug and socket connectors.

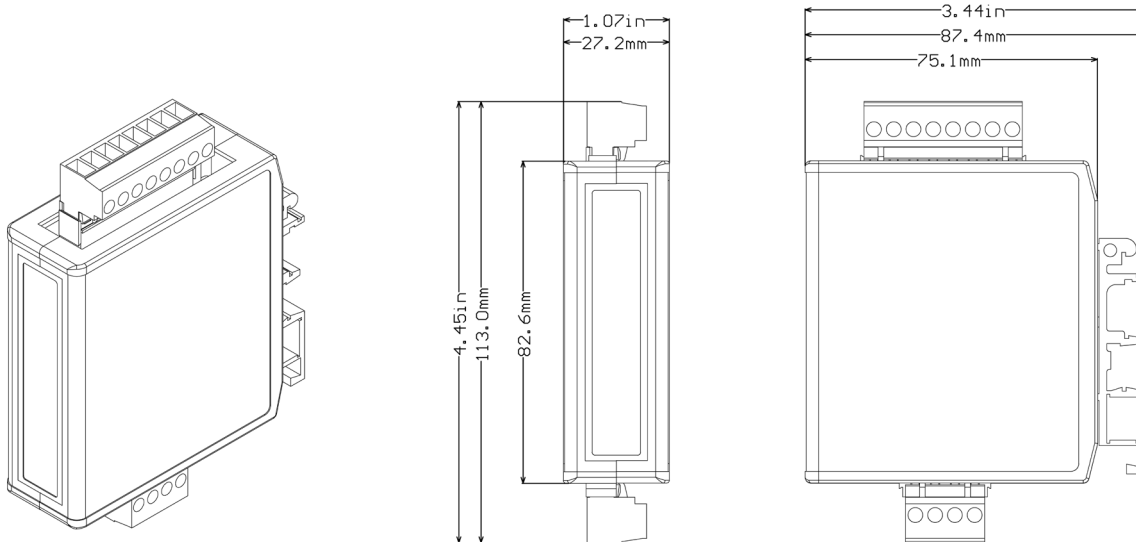
Ordering Data

Type	Order Number
Emphatec DC Plus [®] - CLS/8 8 Channel Current Loop Supply Module	330445

Technical Data

Emphatec DC Plus® - CLS/8 : 8 Channel Current Loop Supply Module

Order Number:	330445
Current:	8 x 4-20mA Channel switches off if current exceeds 30mA ±10%, automatic reset
Supply voltage:	24Vdc nominal
Series resistance:	≈50Ω
Overvoltage protection:	≈28.5Vdc
Temperature:	-20°C to +40°C operating
Terminations - pitch:	plug and socket 26-12 AWG 0.4-0.5Nm tightening torque 7mm stripping length
Mounting:	32mm or 35mm DIN rail
Approvals:	UL pending



Weidmuller Ltd.

10 Spy Court
Markham, ON
Canada
L3R 5H6
Toll Free: (800)268-4080

www.klippon-engineering.com/emphatec

Subject to technical changes

06/21 CA KE | LIT 1030