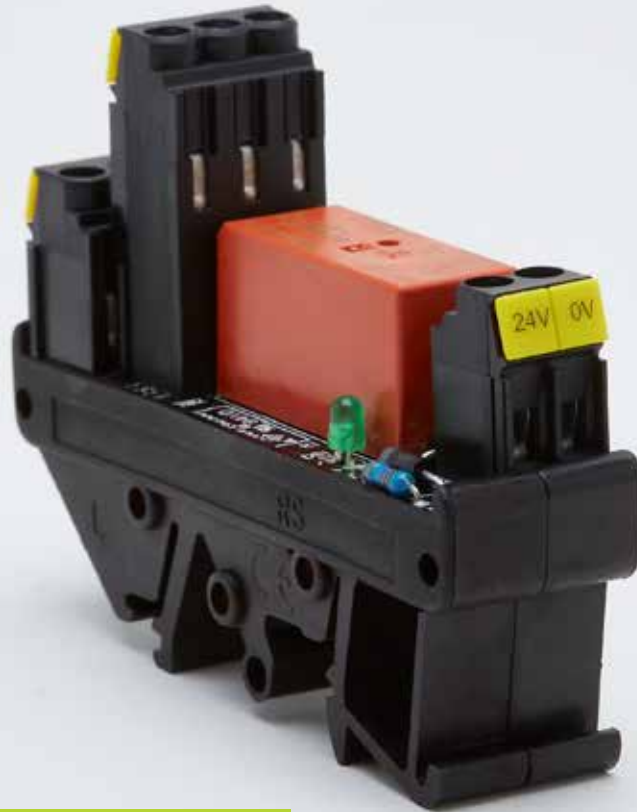


DEPRO[®]

RM2C/5A

DEPRO[®] - RM2C/5A/12V
Catalog Number: 330337-01205

DEPRO[®] - RM2C/5A/24V
Catalog Number: 330337-02405



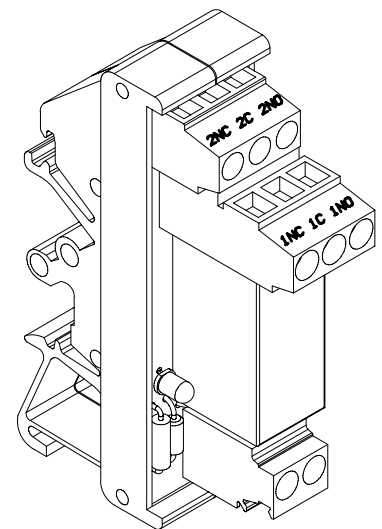
KEY FEATURES

- 2 form C (DPDT) interposing relay modules with 5A contacts
- 12Vdc and 24Vdc versions
- Compatible with **INSTA-LINK[®]** - Relay Adapter
- Class 1 Division 2 / Zone 2 certified

The **DEPRO[®] - RM2C/5A** modules are intended as PLC/DCS interfaces that allow low current digital outputs to control higher current loads. Both the 12Vdc coil and 24Vdc coil versions are certified for use in Class 1 Division 2 and Zone 2 hazardous locations.

The contact configuration is 2 form C (DPDT) and rated 5A at 30Vdc/120vac. A coil status LED and back-EMF diode are included. Installation is on either 32mm or 35mm DIN rail.

Both modules are compatible with the **INSTA-LINK[®] - Relay Adapter**, catalog number 330765, which allows a cable from a PLC/DCS output card to be quickly connected to a group of 8 relays.

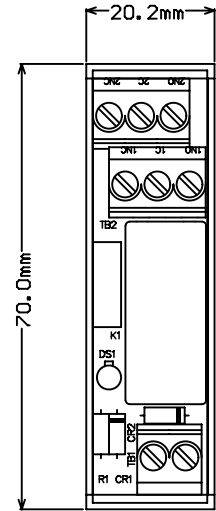


SPECIFICATIONS

	DEPRO® - RM2C/5A/12V	DEPRO® - RM2C/5A/24V
INPUT (COIL)	12Vdc nominal 8.4Vdc pick up, 14.5Vdc max. 33mA @ 12Vdc	24Vdc nominal 16.8Vdc pick up, 28.8Vdc max. 16.7mA @ 24Vdc
OUTPUT (CONTACTS)	5A switching 30Vdc, 120Vac max.	
CONTACT MATERIAL	AgNi 90/10	
SWITCHING TIME	8ms turn on 6ms turn off	
STATUS LED	Green, on = coil energized	
TERMINATIONS	26-12AWG 0.5-0.6Nm torque 6mm stripping length	
TEMPERATURE	-40°C to +40°C Do not install on, or remove from, DIN rail at temperatures less than -15°C as plastic housing may become brittle at those temperatures.	
MOUNTING	32mm or 35mm DIN rail	
APPROVALS	cCSAus Class 1 Division 2, Groups A,B,C and D, Temperature code T6 Ex nA IIC Zone 2 AEx nA IIC, T6	

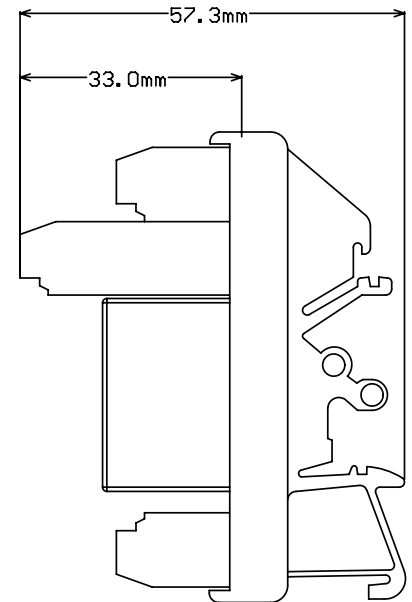
The DEPRO® - RM2C/5A relay modules are compatible with the INSTA-LINK® - Relay Adapter, catalog number 330765. Cables are available to interface 8 or 16 RM2C relay modules directly to Rockwell Controllogix OB8 and OB16I digital output cards.

BOTTOM ROW → 2NC 2C 2NO
TOP ROW → 1NC 1C 1NO



DEKAFIX:
 330337-01205 → 12V 0V
 330337-02405 → 24V 0V
 330337-04805 → 48V 0V

FRONT VIEW



SIDE VIEW