

Emphatec DePro® - FOVP

Fused Overvoltage Protector



Features

- Limits overcurrents and overvoltages in control loops
- Overvoltage automatically blows fuse
- cCSAus certified for use in Class 1 Division 2 and Zone 2 applications

The Emphatec DePro® - FOVP module provides overcurrent protection and overvoltage protection for 24Vdc control loops. Most commonly used with digital input and output circuits the module is designed for use in Class 1 Division 2 applications.

A fuse limits the current to the field while an electronic circuit monitors the voltage and blows the fuse if an overvoltage condition occurs. The fuse is a standard 5x20mm glass type fuse and is socket mounted under a protective cover. The maximum fuse rating is 2A. Standard 5x20mm fuses are suitable for non-overload C1D2 applications - see application note at www.klippon-engineering.com/emphatec

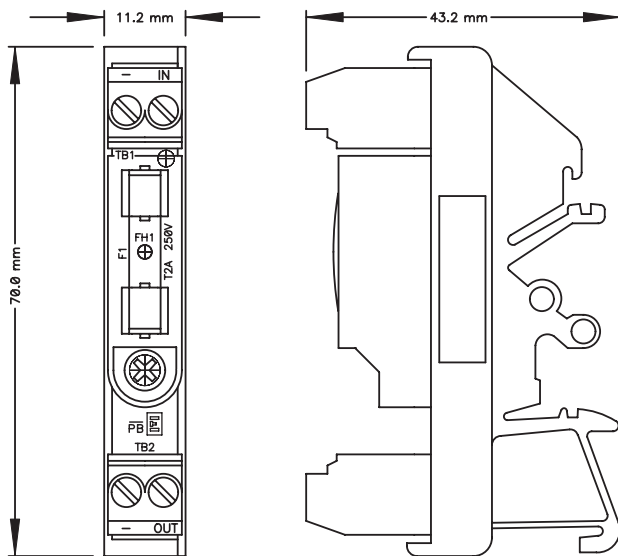
An LED is included to indicate the module is powered and the fuse is healthy.

The overvoltage protection is intended to provide protection against arcing and also damage to field devices in the event of a failure in the 24V power supply. If the power supply output voltage exceeds 32Vdc the fuse on the Emphatec DePro® - FOVP module will blow.

Ordering Data

| Type | Order Number |
|---|--------------|
| Emphatec DePro® - FOVP Fused Overvoltage Protector | 330111 |

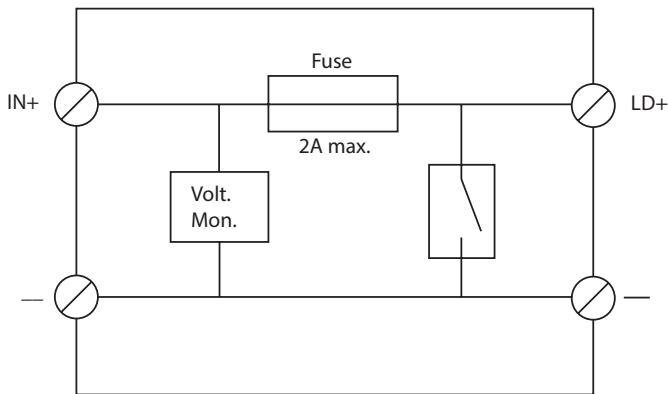
Technical Data



Emphatec DePro® - FOVP : Fused Overvoltage Protector

| | |
|------------------------|---|
| Order Number | 330111 |
| Voltage: | 24Vdc nominal |
| Current: | 2A max |
| Fuse: | 5 x 20mm, glass type, 2A max. (provided) Customer can install with lower current ratings. |
| Overvoltage threshold: | 30-32Vdc, if the input voltage exceeds this level the fuse is blown and the output de-energized. Guaranteed off at 32Vdc. |
| Output: | 24Vdc @ 50mA Active when loop continuity is intact Green status LED |
| Temperature: | -20°C to +40°C operating ambient |
| Terminations: | 26 - 12AWG 0.5 0.6Nm torque, 6mm stripping length |
| Approvals: | cCSAus Class 1 Division 2 Groups A, B, C and D Temperature code T6 Ex nA IIC, Zone 2 AEx nA II |

Spare fuse cover and retaining screw (package of 8):
Order Number 330316



Weidmuller Ltd.

10 Spy Court
Markham, ON
Canada
L3R 5H6
Toll Free: (800)268-4080

www.klippon-engineering.com/emphatec

Subject to technical changes

06/21 CA KE | LIT1009